

17" Resistive Single Touch Monitor (Embedded)

Products application :

- POS Terminal
- Industrial PC
- Kiosk
- Gaming
- Medical apparatus
- Personal computer
- Mobile GPS
- Office automation
- Security system of the house
- Car-mounted amusement
- Military equipment
- Communicate



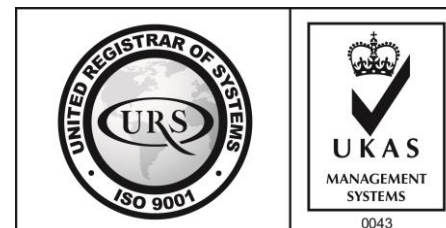
AIM-TMOP5R170-R31

Order information :

Touch interface :

Mount type :

| | | |
|-------------------|-------|-------------------------|
| AIM-TMOP5R170-R31 | USB | Embedded (Open Frame) |
| AIM-TMOP5R170-R32 | RS232 | |
| AIM-TMOP5R170-R33 | USB | Embedded (Open Frame) |
| AIM-TMOP5R170-R34 | RS232 | |



17" Resistive Single Touch Monitor (Embedded)

Display Specifications :

| | |
|-----------------------|--|
| Active Area | 337 × 270 mm |
| Pixel Pitch | 0.264 × 0.264 mm |
| Brightness | 250 cd/m ² |
| Contrast Ratio | 1000 : 1 |
| Resolution | 1280 x 1024 (SXGA) |
| Viewing Angle | L/R176° ; U/D170° |
| Response Time | 5ms (Tr + Tf) |
| Display Colors | 16.7M |
| Display Modes | 640×480 ; 800×600 ; 1024×768 ; 1280×1024 |
| Signal input | VGA ; Audio ; Display Port ; HDMI |
| Speaker | 1W (8Ω) × 2 |
| OSD Keyboard | ⊙Power ⊙Auto adjust ⊕ ⊖ ⊙Menu |
| Power Source | DC 12V (DC Jack Φ2.1mm) |
| Power Consumption | ≤15w |
| Storage · Operation | -20~60°C ; 0~50°C |
| VESA | 75×75 ; 100×100 mm |
| Casing Colors | Black (OEM other colors) |
| Casing Size · Weight | 361 × 299 × 50 mm ; 3.5 kg (W×H×D) |
| Carton · gross weight | 550 × 395 × 170 mm ; 5 kg (W×H×D) |
| Accessory | VGA cable / HDMI cable / Audio cable / AC100~240V Adapter / Power cable / USB or RS232 cable / Cleaning wipes / Driver Disk ※DP cable (Optional) |

※AiM Touch has the right to update specs without further notice



AIM-TMOP5R170-R31

【 OSD Key at the bottom of the Monitor 】



17" Resistive Single Touch Monitor (Embedded)

Touch Feature :

| | |
|------------------|---|
| Input Method | Finger, gloved hand, or stylus activation |
| Activation Force | ≤50g |
| Linearity | ≤1.5% |
| Surface | ≥3H |
| Life Time | ≥35,000,000 |
| Application | Writing and Signature Capture Capability |

Software Feature :

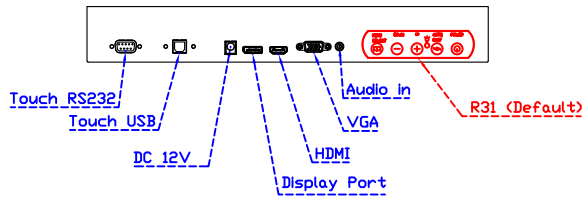
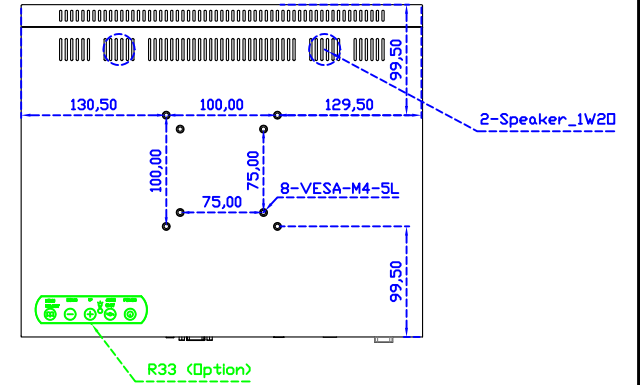
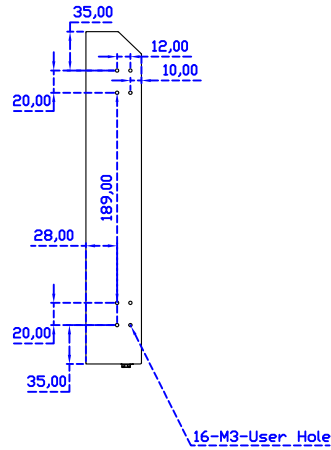
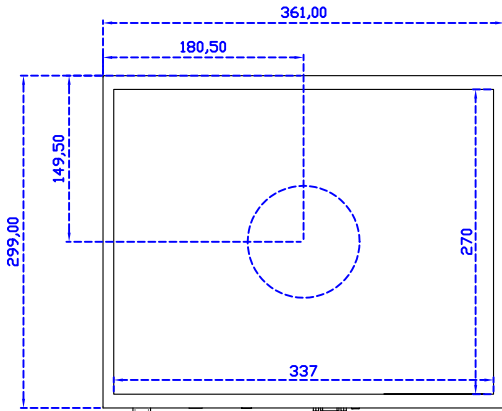
| | |
|------------------|---|
| Calibration | Fast full oriental 4 points position |
| Compensation | Edge compensation. Accuracy 25 points linearity compensation |
| Draw Test | Position and linearity verification |
| Controller | Support multiple controllers |
| Languages | English · Simple Chinese · Traditional Chinese · Japanese · French · German · Spanish · Korean · Arabic · Czech · Danish · Dutch · Greek · Hungarian · Italian · Norwegian · Russian · Polish · Portuguese · Slovenian · Swedish · Thai · Turkish |
| Mouse Emulator | Right / left button emulation. Auto Right / left Click (PDA function) |
| Touch Style | Drawing a Mode · button a Mode · Touch Off/ on Switch |
| Double Click | Configurable double click speed · Configurable double click area |
| Sound Modes | No sound · Touch down · Touch up |
| COM Port Support | COM1 ~ COM255 for Windows and Linux COM1 ~ COM8 for MS- DOS |
| Display Support | display rotation · Support multiple monitors |
| Support O.S | All Windows-32/64bit O.S Android ; Linux ; MAC |



AIM-TMOP5R170-R33

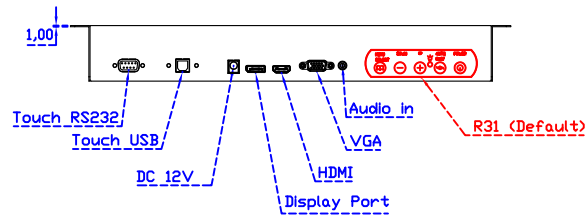
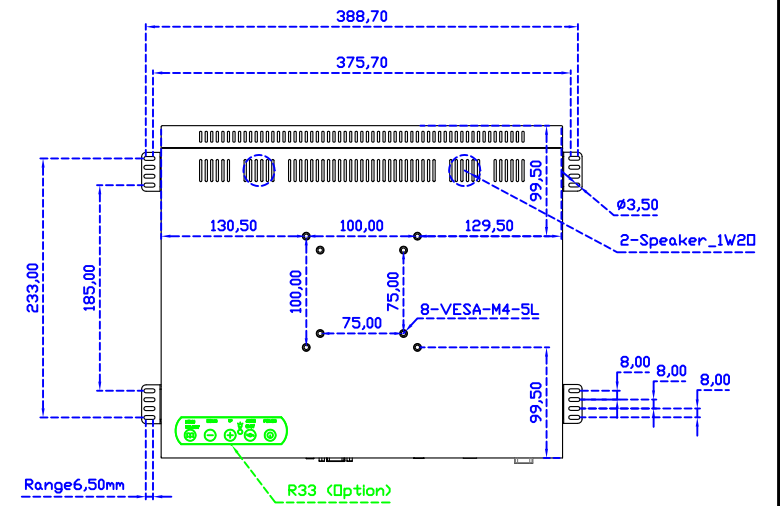
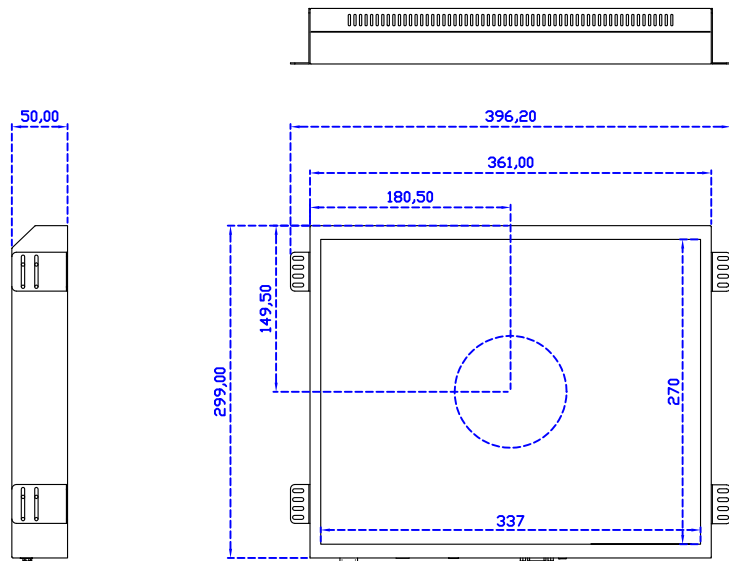
【 OSD Key on the back of the Monitor 】

3 Year Warranty
LCD Panel 1 Year



17" Embedded Touch Monitor.
(Open Frame)
(Narrow type)

AIM-TMOPxxxx170-R31_R33
(2025/07/14)



17" Embedded Touch Monitor.
 (Open Frame)
 (Narrow type)

AIM-TMOPxxxx170-R31_R33
 (2025/07/14)