

17" Projected capacitive Multi-Touch Monitor (Embedded)

Products application :

- POS Terminal
- Industrial PC
- Kiosk
- Gaming
- Medical apparatus
- Personal computer
- Mobile GPS
- Office automation
- Security system of the house
- Car-mounted amusement
- Military equipment
- Communicate



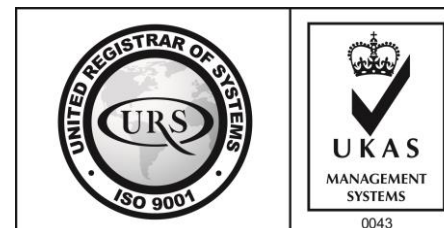
AIM-TMOPPCTU170-R31

Order information :

Touch interface :

Mount type :

AIM-TMOPPCTU170-R31	USB (Multi-Touch*10)	Embedded (Open Frame)
AIM-TMOPPCTU170-R32	RS232 (Single-Touch)	
AIM-TMOPPCTU170-R33	USB (Multi-Touch*10)	Embedded (Open Frame)
AIM-TMOPPCTU170-R34	RS232 (Single-Touch)	



17" Projected capacitive Multi-Touch Monitor (Embedded)

Display Specifications :

Active Area	337 × 270 mm
Pixel Pitch	0.264 × 0.264 mm
Brightness	250 cd/m ²
Contrast Ratio	1000 : 1
Resolution	1280 x 1024 (SXGA)
Viewing Angle	L/R176° ; U/D170°
Response Time	5ms (Tr + Tf)
Display Colors	16.7M
Display Modes	640×480 ; 800×600 ; 1024×768 ; 1280×1024
Signal input	VGA ; Audio ; Display Port ; HDMI
Speaker	1W (8Ω) × 2
OSD Keyboard	⊙Power ⊙Auto adjust ⊕ ⊖ ⊙Menu
Power Source	DC 12V (DC Jack Φ2.1mm)
Power Consumption	≤15w
Storage 、 Operation	-20~60°C ; 0~50°C
VESA	75×75 ; 100×100 mm
Casing Colors	Black (OEM other colors)
Casing Size 、 Weight	361 × 299 × 50 mm ; 3.5 kg (W×H×D)
Carton 、 gross weight	550 × 395 × 170 mm ; 5 kg (W×H×D)
Accessory	VGA cable / HDMI cable / Audio cable / AC100~240V Adapter / Power cable / USB or RS232 cable / Cleaning wipes / Driver Disk ※DP cable (Optional)

※AiM Touch has the right to update specs without further notice



AIM-TMOPPCTU170-R31

【OSD Key at the bottom of the Monitor】



17" Projected capacitive Multi-Touch Monitor (Embedded)

Touch Feature :

Input Method	Capacitive stylus, Finger
Linearity	$\leq 2.5\text{mm}$
Surface	$\geq 7H$
Life Time	Unlimited
Application	Writing and Signature Capture Capability

Software Feature :

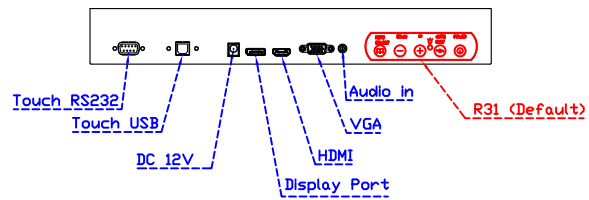
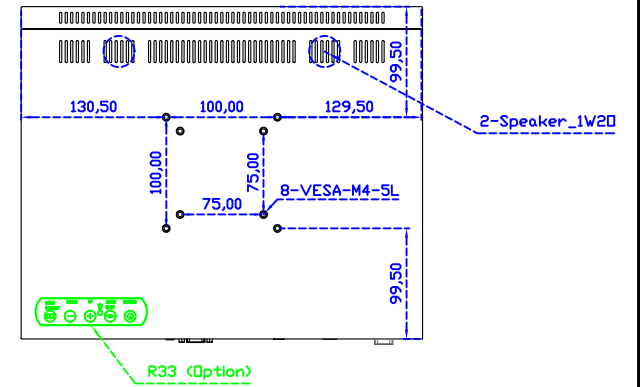
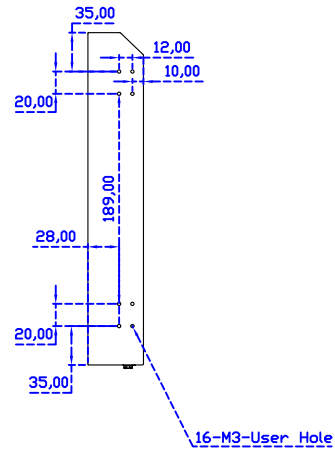
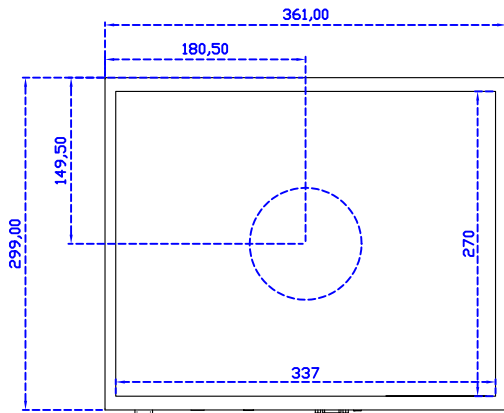
Draw Test	Position and linearity verification
Controller	Support multiple controller
Languages	English · Simple Chinese · Traditional Chinese · Japanese · French · German · Spanish · Korean · Arabic · Czech · Danish · Dutch · Greek · Hungarian · Italian · Norwegian · Russian · Polish · Portuguese · Slovenian · Swedish · Thai · Turkish
Mouse Emulator	Right / left button emulation. Auto Right / left Click (PDA function)
Touch Style	Drawing a Mode · button a Mode · Touch Off/ on Switch
Double Click	Configurable double click speed · Configurable double click area
Sound Modes	No sound · Touch down · Touch up
Display Support	display rotation · Support multiple monitors
Division Pattern	Support two halves and four parts with touch function, you can also create your own division patterns.
Settings:	
Edge compensation	Support edge compensation and you can also add your own numbers for it.
Support O.S	All Windows-32/64bit O.S Android ; Linux ; MAC



AIM-TMOPPCTU170-R33

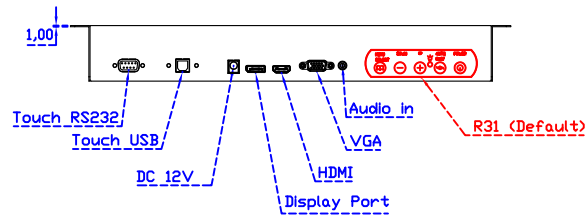
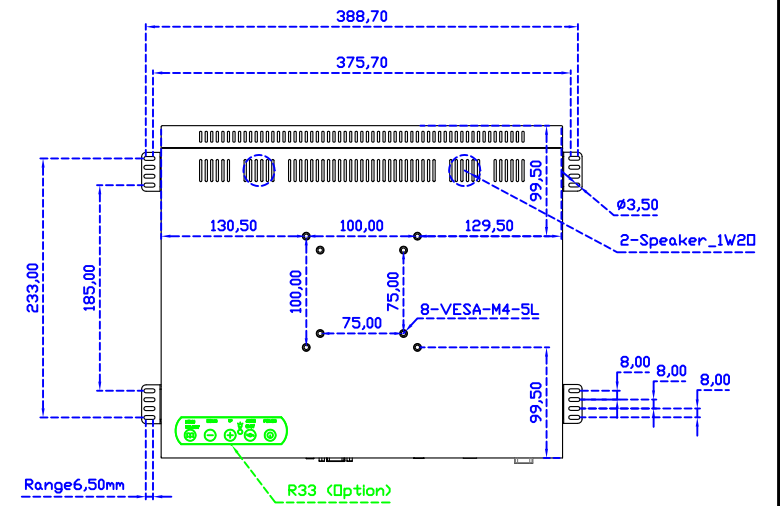
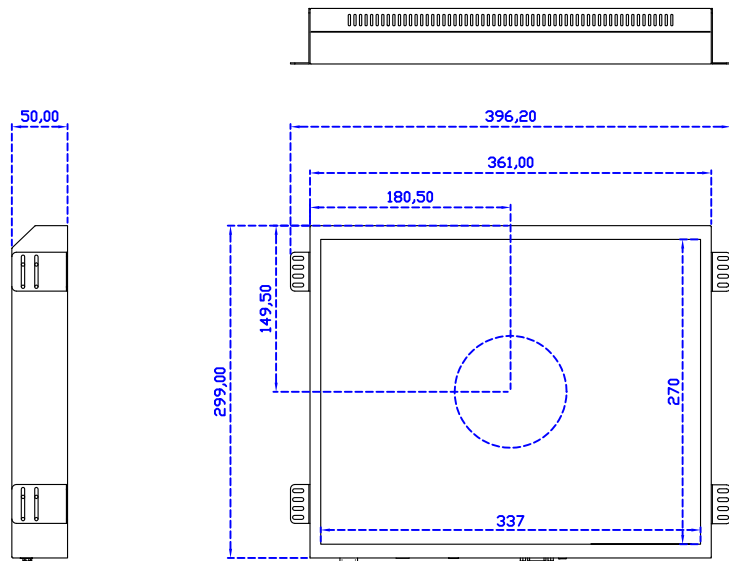
【OSD Key on the back of the Monitor】





17" Embedded Touch Monitor.
(Open Frame)
(Narrow type)

AIM-TMOPxxxx170-R31_R33
(2025/07/14)



17" Embedded Touch Monitor.
 (Open Frame)
 (Narrow type)

AIM-TMOPxxxx170-R31_R33
 (2025/07/14)